

Electromagnetically Actuated Shotbolt Lock Units

1

Product group

G HU Z 017

Function

- Pull type (de-energized locked) or push type (de-energized unlocked)
- Installed return spring
- Almost linear magnetic force vs. stroke characteristic

Construction

- Flange mounting
- Maintenance free bearings with high service life
- Execution with and without impact damping in the end positions
- Robustly built stainless locking bolt
- Insulation materials of the excitation winding correspond to thermal class F
- Electrical connection via receptacles according to DIN 46247 or plug connector
- Protection class according to DIN VDE/DIN EN 60529, when properly installed
 - Receptacles according to DIN 46247 IP 00
 - Plug connection via plug connector according to DIN EN 175301-803 design CI 9.4 mm with flat seal IP54

Application examples

- Interlocks and tumbler locks of all kinds

Options

- Flange in plastic
- Please contact us for application related solutions

Standards

- Design and testing according to DIN VDE 0580
- Quality management to ISO 9001

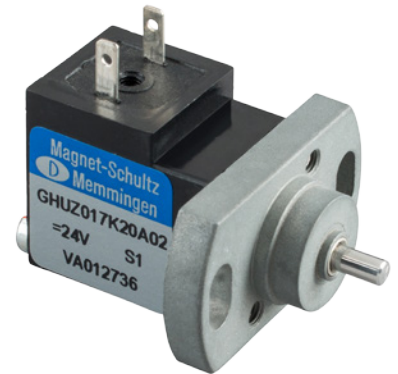


Fig. 1: Type G HU Z 017 K20 A02

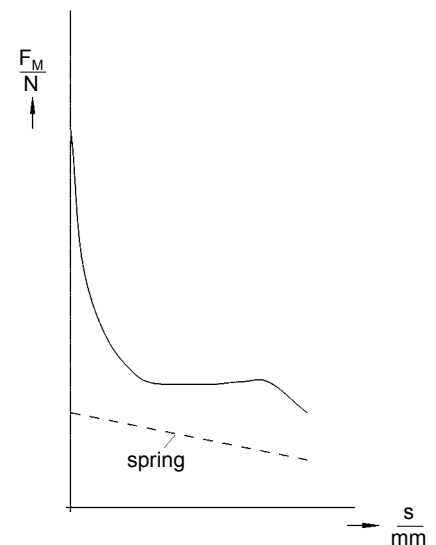


Fig. 2: Force vs. stroke characteristic

Technical data

G HU Z 017	
Operating mode	S1 (100 %)
Stroke s (mm)	2,5
Rated work A_N (Ncm)	0,25
Rated Power P_{20} (W)	7,0
Reference temperature ϑ_{11} (°C)	35
Magnetic force F_M (N)	1,0
Armature weight m_A (kg)	0,004
Solenoid weight m_M (kg)	0,04
Maximal transverse load:	
Shotbolt in normal position (N)	35
in motion (N)	0

Notes on the tables

The force values indicated in the tables refer to 90 % of the rated voltage, ($U_N = \text{---} 24 \text{ V}$, for other voltages deviations of magnetic force may occur) and in the normal operating temperature.

Due to natural dispersion the force values and the force values of the spring may deviate by $\pm 10 \%$ from the values indicated in the tables.

The normal operating temperature is based on:

- Mounting on badly conductive base
- Rated voltage $\text{---} 24 \text{ V}$
- Operating mode S1 (100%)
- Reference temperature 35° C

The stroke movement effected by the electromagnetic force can be pulling or pushing depending on the design.

The reset in the stroke start position is effected by the built-in spring. Both operations „de-energized locked“ and „de-energized unlocked“ are possible. However, the operation „de-energized locked“ is preferable.

Reliable flexible fastening is guaranteed through fastening with flange.


Rated voltage

Rated voltage is $\text{---} 24 \text{ V}$. An adaptation of the exciter coil to a rated voltage less than $\text{---} 60 \text{ V}$ is possible on request.

Standard values for voltage and operating mode: 24 V , S1 (100%).

The devices correspond to protection class III. Electrical equipment of protection class III may be only connected to low voltage systems (PELV, SELV)(IEC 60364-4-41).

Information and remarks concerning European directives can be taken from the correspondent information sheet which is available under Produktinfo.Magnet-Schultz.com.

Please make sure that the described devices are suitable for your application. Our offers for these devices are based on the assumption of maximal 8 in an FMEA severity table, i. e. in case of malfunction of the device model as offered, there is, amongst others, no jeopardy of life or limb. Supplementary information concerning its proper installation can be taken also from the  –Technical Explanation, the effective DIN VDE0580 as well as the relevant specifications.

This part list is a document for technically qualified personnel.

The present publication is for informational purposes only and shall not be construed as mandatory illustration of the products unless otherwise confirmed expressively.

Dimension table

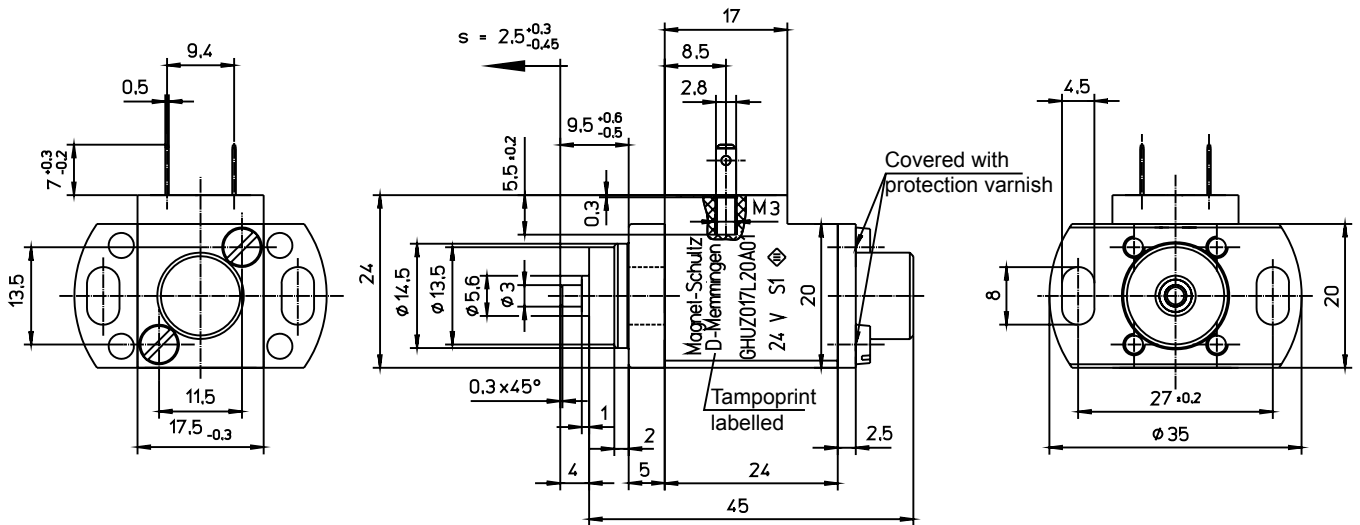


Fig. 3: Type G HU Z 017 L20 A02 / A02
 push type (de-energized unlocked)
 ... A01 with impact damping
 ... A02 without impact damping

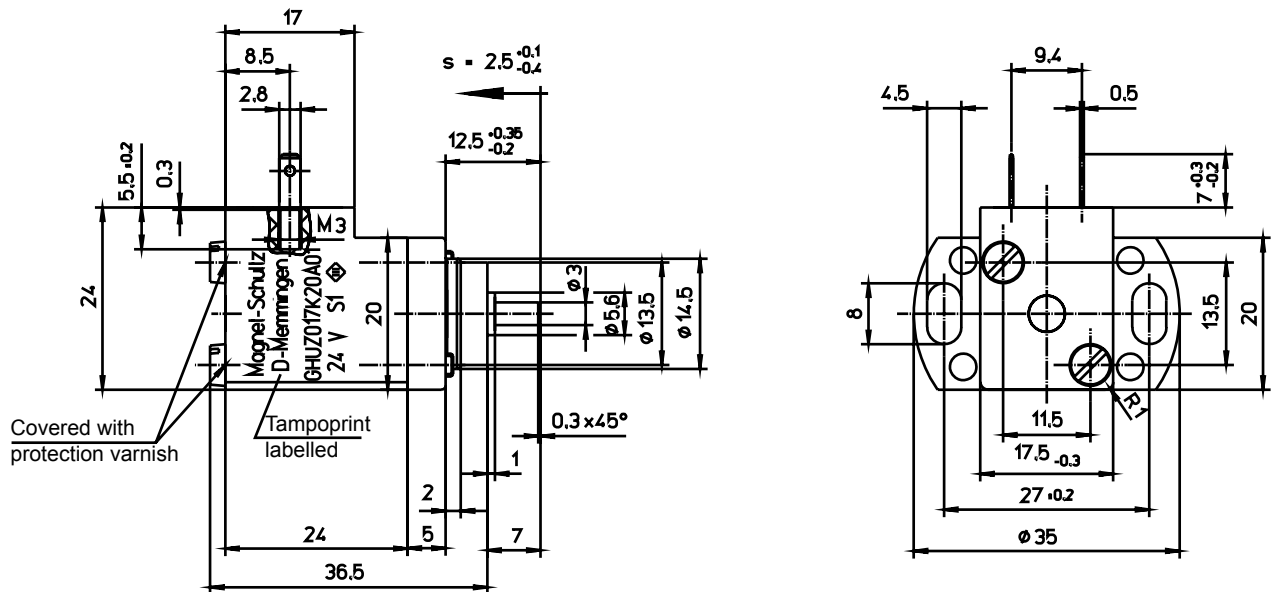


Fig. 4: Type G HU Z 017 K20 A01 / A02
 pull type (de-energized locked)
 ... A01 with impact damping
 ... A02 without impact damping


Type code

Designation	Working method	Impact damping
GHUZ 017 K20 A01	pull-type (de-energized locked)	with
GHUZ 017 K20 A02		without
GHUZ 017 L20 A01	push-type (de-energized unlocked)	with
GHUZ 017 L20 A02		without

Order example

Type G HU Z 017 L20 A01
Voltage \equiv 24 V DC
Operating mode S1 (100 %)

Specials designs

Please do not hesitate to ask for our assistance with the solution of your application-oriented task. In order to find rapidly a reliable solution we need complete details about your application conditions. The details should be specified as precisely as possible in accordance with the relevant -Technical Explanations.

If necessary, please request the support of our corresponding technical office.