

Electromagnetically Actuated Shotbolt Lock Units

1

Product group

G HU Z 032

- According to DIN VDE 0580
- Almost linear magnetic force vs. stroke characteristic
- Solidly executed shotbolt
- Pull type (de-energized locked) or push type (de-energized unlocked)
- Installed return spring
- Maintenance free bearings with high service life
- Insulation materials of the excitation winding correspond to thermal class F
- Electrical connection and protection class when properly installed:
 - Plug connection by spade connectors according to DIN 46247
Protection class according to DIN VDE 0470-1/
DIN EN 60529 – IP 00
 - Plug connection via plug connector type Z KC according to DIN EN 175 301-803
Cable gland (2 x 180-degree rotatable)
Protection class according to DIN VDE 0470-1/
DIN EN 60529 – IP 40
- Mounting via central thread
- Please contact us for application related solutions
- Application examples (according to health and safety at work regulations and according to accident preventing regulations):
Interlocking of protectors of machines of all sorts

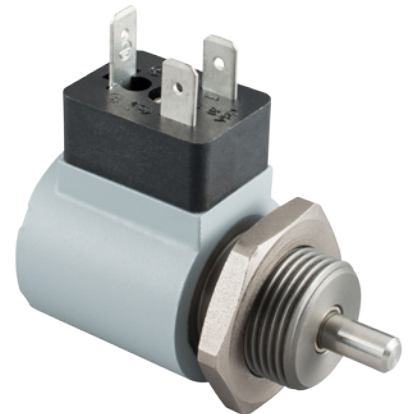


Fig. 1: Type G HU Z 032 M30 A01

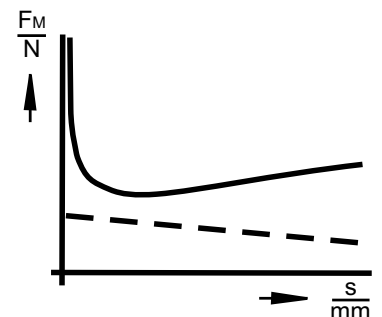


Fig. 2: Force vs. stroke characteristic

Technical data

G HU Z 032		
Operating mode		S1 (100%)
Stroke s	(mm)	6
Rated power P_{20}	(W)	7,2
Reference temperature i_{11}	(°C)	35
Operating frequency S_h	(1/h)	30000
Actuation time t_1	(ms)	70
Fall time t_2	(ms)	40
Armature weight m_A	(kg)	0,03
Solenoid weight m_M	(kg)	ca. 0,25
Maximum lateral load:		
Sholtbolt in normal position	(N)	600
in motion	(N)	4

Rated voltage \approx 24 V, the exciter coil can be adjusted to a rated voltage of \approx 250 V maximum on request.

Standard values for voltage and operating mode: 24 V, S1 (100%).

The magnetic force values indicated in the tables refer to 90 % of the rated voltage, ($U_N = \approx$ 24 V, for other voltages deviations of the magnetic force may occur) and to the normal operating temperature.

Due to natural dispersion, the force values and the force values of the spring may deviate by 10 % from the values indicated in the tables.

The normal operating temperature is based on:

- mounting on badly conductive base
- rated voltage \approx 24 V
- operating mode S1 (100 %)
- reference temperature 35° C

The stroke movement effected by the electromagnetic force can be pulling or pushing depending on the design.

The reset in the stroke start position is effected by the built-in spring. Both operations, „de-energized locked“ and „de-energized unlocked“ are possible. However the operation „de-energized locked“ is preferable.

Reliable flexible fastening is guaranteed through the central thread.

Design with signal switch on request.

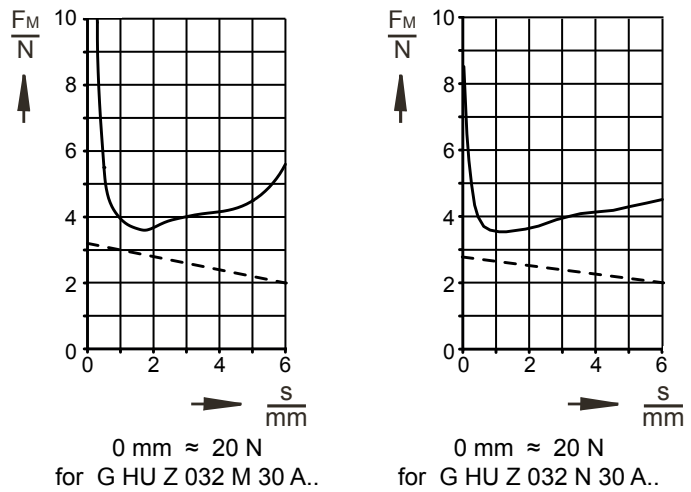



Fig. 3: Magnetic force vs. stroke characteristic and return spring

For connection via plug connector Z KC X or Z KC G, please take into consideration the max. continuous current of the plug.

Information and remarks concerning European directives can be taken from the correspondent information sheet which is available under Produktinfo.Magnet-Schultz.com.

Please make sure that the described devices are suitable for your application. Our offers for these devices are based on the assumption of maximal 8 in an FMEA severity table, i. e. in case of malfunction of the device model as offered, there is, amongst others, no jeopardy of life or limb. Supplementary information concerning its proper installation can be taken also from the  -Technical Explanation, the effective DIN VDE0580 as well as the relevant specifications.

This part list is a document for technically qualified personnel.

The present publication is for informational purposes only and shall not be construed as mandatory illustration of the products unless otherwise confirmed expressly.

Dimensions table

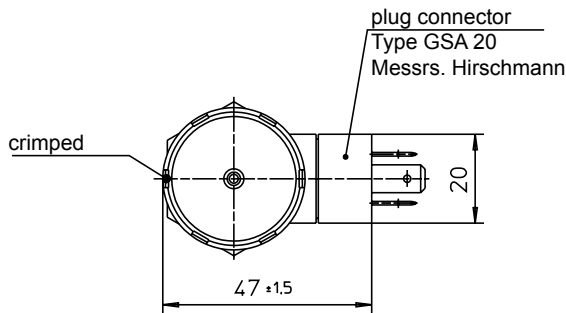
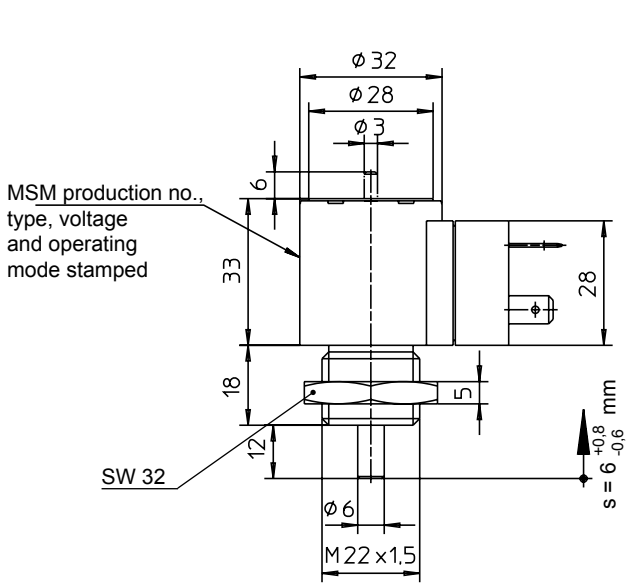


Fig. 4: Type G HU Z 032 M30 A01
pull type (de-energized locked)

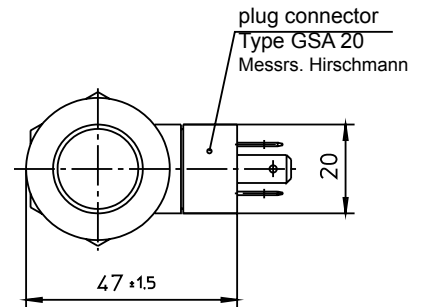
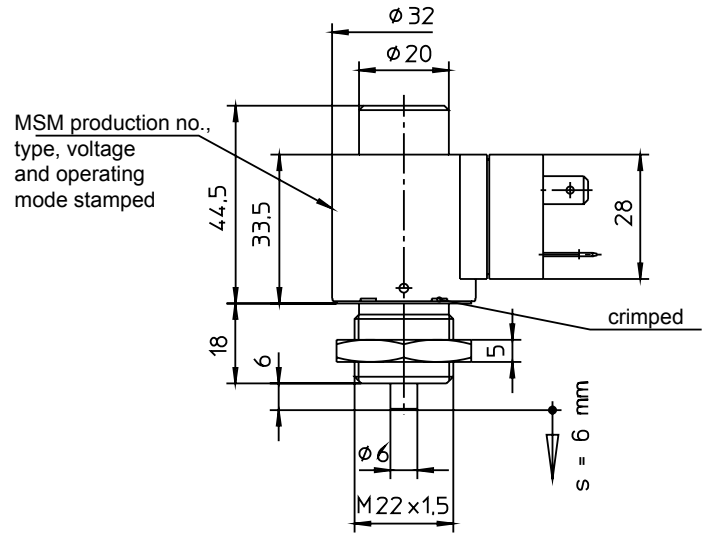
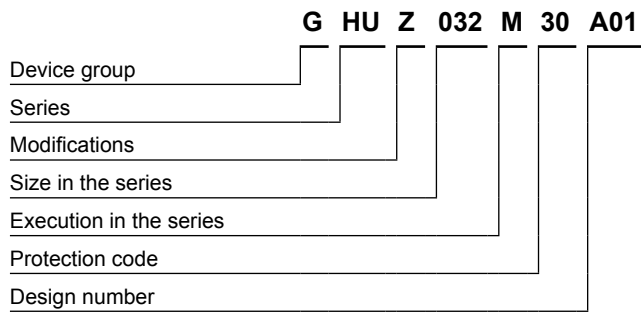


Fig. 5: Type G HU Z 032 N30 A01
push type (de-energized unlocked)


Type code



Order example

Type	G HU Z 032 M30 A01 (pull type)
Voltage	== 24 V DC
Operating mode	S1 (100 %)

Specials designs

Please do not hesitate to ask for our assistance with the solution of your application-oriented task. In order to find rapidly a reliable solution we need complete details about your application conditions. The details should be specified as precisely as possible in accordance with the relevant  -Technical Explanations.

If necessary, please request the support of our corresponding technical office.