

Vibrators

7

Product group

W ZA Y ZA Y ZU

- According to DIN VDE 0580
- Solid construction adjusted to the application
- For direct connection to the AC network or via one-way rectifier
- Encapsulated design
- Insulation materials of the excitation winding correspond to thermal class B
- Electrical connection and protection class when properly installed:
 - Free flexible lead ends
 - Protection class according to DIN VDE 0470-1/
DIN EN 60529 – IP 00
- Mounting:
 - series W ZA W and Y ZA W via dedendum angle on the magnetic body and through bore hole in the armature
 - series Y ZU W via threaded tapped holes
- Please contact us for application related solutions
- Application Examples:
As drive unit for vibratory systems in the materials- handling technology, e. g. mining, sieving and compressing



Fig. 1: Type W ZA W 060 X00 A05

Technical data

Vibrator for direct connection to the AC network

Vibrations at twice supply frequency.

W ZA W ... X00 A05		040	060	080
Nominal air gap	(mm)	2	2.5	2.5
Rated Power P_s	(VA)	45	103	205
Peak force \hat{F}	(N)	18.6	42	118
Armature weight m_A	(kg)	0.07	0.17	0.31
Solenoid weight (not encapsulated) m_M	(kg)	0.39	0.95	2.1
Solenoid weight (encapsulated) m_M	(kg)	0.52	1.12	2.3

Vibrators for connection to the AC network via one-way rectifier

Vibrations at supply frequency.

Y ZA W ... X00 A05		040	060	080
Nominal air gap	(mm)	2	2.5	2,5
Rated Power P_s	(VA)	40	76	180
Peak force \hat{F}	(N)	36	65	176
Armature weight m_A	(kg)	0.07	0.17	0.31
Solenoid weight (not encapsulated) m_M	(kg)	0.39	0.95	2.1
Solenoid weight (encapsulated) m_M	(kg)	0.52	1.12	2.3

Vibrators for connection to the AC network via one-way rectifier

Vibrations at supply frequency.

Y ZU W ... X00 A01		090	120
Nominal air gap	(mm)	3	3
Rated Power P_s	(VA)	425	1200
Peak force \hat{F}	(N)	510	1450
Armature weight m_A	(kg)	0.6	1.3
Solenoid weight m_M	(kg)	3.2	7.6


Standard values for voltage and operating mode: 230 V / 50 Hz, S1 (100%).

Table basis: Normal operating temperature
95 % rated voltage
Reference temperature 35° C

Peak force \hat{F} - magnetic force with nominal air gap in a non vibrating condition.

P_s = approximate apparent power with nominal air gap in a non vibrating condition.

Information and remarks concerning European directives can be taken from the correspondent information sheet which is available under *Produktinfo.Magnet-Schultz.com*.

Please make sure that the described devices are suitable for your application. Our offers for these devices are based on the assumption of maximal 8 in an FMEA severity table, i. e. in case of malfunction of the device model as offered, there is, amongst others, no jeopardy of life or limb. Supplementary information concerning its proper installation can be taken also from the  -Technical Explanation, the effective DIN VDE0580 as well as the relevant specifications.

This part list is a document for technically qualified personnel. The present publication is for informational purposes only and shall not be construed as mandatory illustration of the products unless otherwise confirmed expressively.

Dimension drawing

Type W Z A W and Y Z A W ... A05																
Dim. in mm	a	b ₁	b ₂	b ₃	d ₁	d ₂	e	h ₁	h ₂	h ₃	h ₄	t ₁	t ₂	t ₃	t ₄	
Size	040	2	66	46.5	45	4.3	5.1	37	60.8	15	46.5	0.5	39	47.5	17.5	---
	060	3	78	55.2	54	6.4	6.1	46	75.8	20	56.5	0.5	48	61.5	21.5	22
	080	3	92	68.2	66	6.4	6.1	67	90.8	22	69	1	62	83	33	28.5

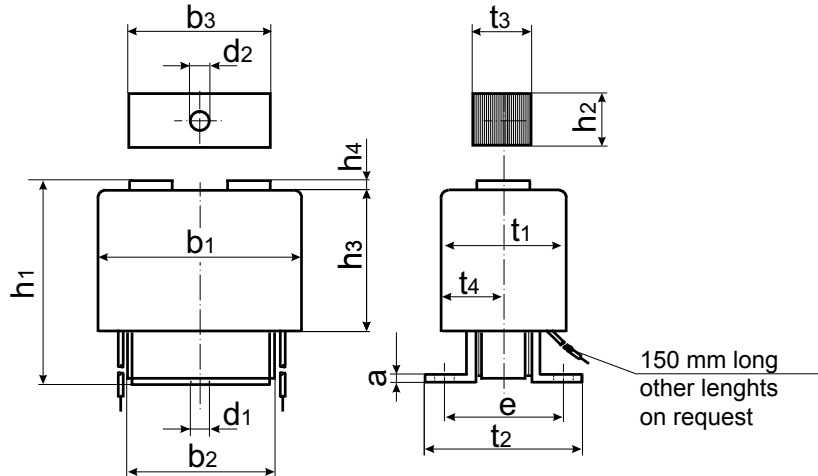


Fig. 4: Encapsulated Design
 Type W Z A W 040 X00 A05
 to W Z A W 080 X00 A05
 and Y Z A W 040 X00 A05
 to Y Z A W 080 X00 A05

Type Y Z U W													
Dim. in mm	b ₁	b ₂	d	e ₁	e ₂	h ₁	h ₂	h ₃	h ₄	h ₅	t ₁	t ₂	
Size	090	100	66	M6	30	40	61.5	48	9	17.5	1	100	70
	120	155	108	M10	50	*	90.5	66	15	26.5	1	110	68

* Two threaded bores on central axis size 120.

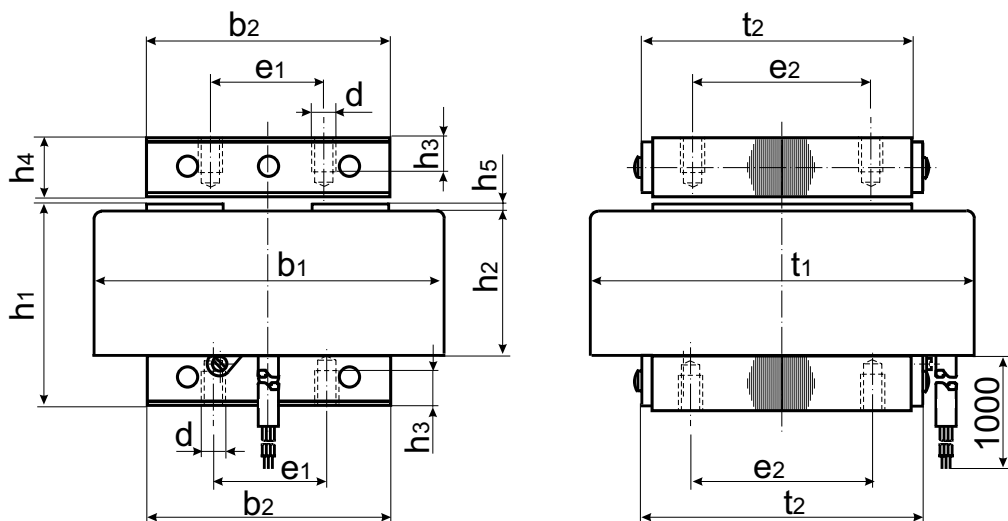
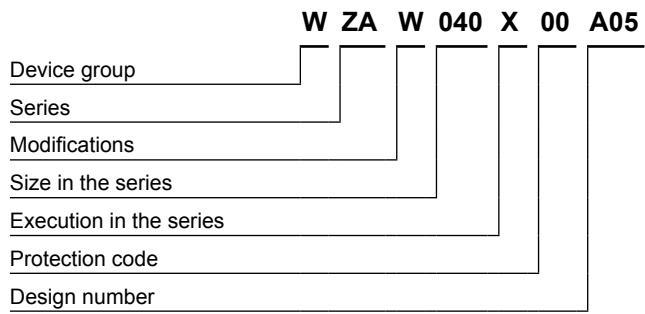



Fig. 2: Encapsulated design
 Type Y Z U W 090 X00 A01
 to Y Z U W 120 X00 A01


Type code



Example

Type W ZA W 040 X00 A05
 Voltage  24 V DC

Specials designs

Please do not hesitate to ask for our assistance with the solution of your application-oriented task. In order to find rapidly a reliable solution we need complete details about your application conditions. The details should be specified as precisely as possible in accordance with the relevant  -Technical Explanations.

If necessary, please request the support of our corresponding technical office.